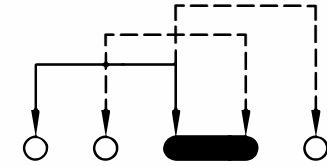
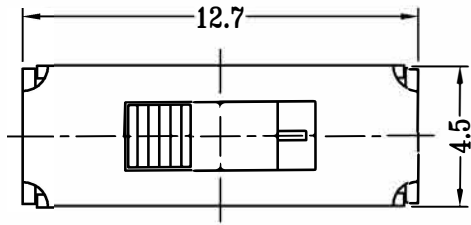
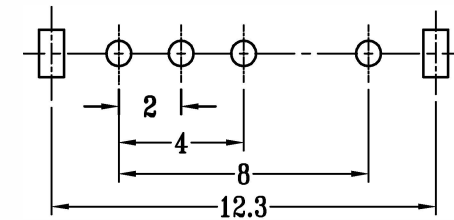
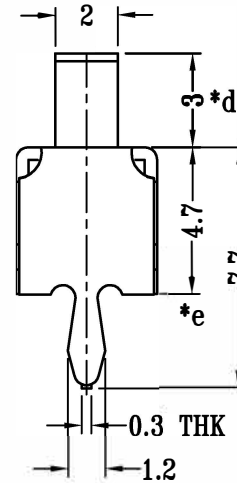
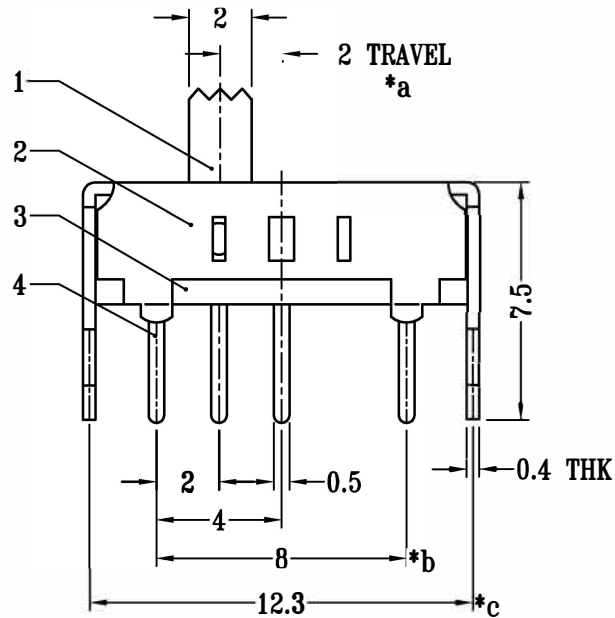


CAD FILE:



**SCHEMATIC (SHORTING)**



**P.C.B LAYOUT  
BOTTOM VIEW**

注：“\*”表示关键尺寸(5个).

NO.	PARTS	MATERIALS	Q'TY	FINISH	TOLERANCE UNLESS SPECIFIED					
8										
7										
6	SPRING PLATED	PBS STRIP	2	NATURAL	WITHIN 1.5mm : ±0.1mm	A	2012-8-13	初版		曾鹏
5	CONTACT CLIP	PBS STRIP	1	Ag CLAD	OVER 1.5mm : ±0.2mm	ISSUE	DATE	DESCRIPTIONS OF REVISION		APPD.
4	TERMINAL	BRASS STRIP	4	Ag PLATED	TITLE : VERTICAL SLIDE SWITCH		UNIT : mm	DRWG NO.: LT-DR-SS13D01G3-00		
3	BASE	PHENOLIC RESIN	1	NATURAL	MODEL: SS13D01G3高温金码双弹片		SCALE: 4:1	DWN.	吴开庆	2012-8-13
2	FRAME	STEEL STRIP	1	Ni PLATED	东莞市德沃电子科技有限公司			CHK'D	曾小伟	2012-8-13
1	KNOB	PA66	1	BLACK				APPD.	曾鹏	2012-8-13