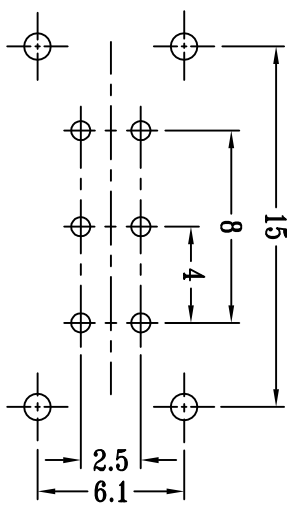
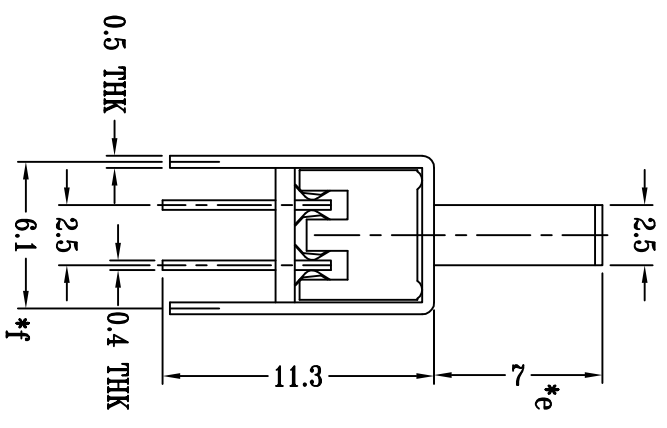
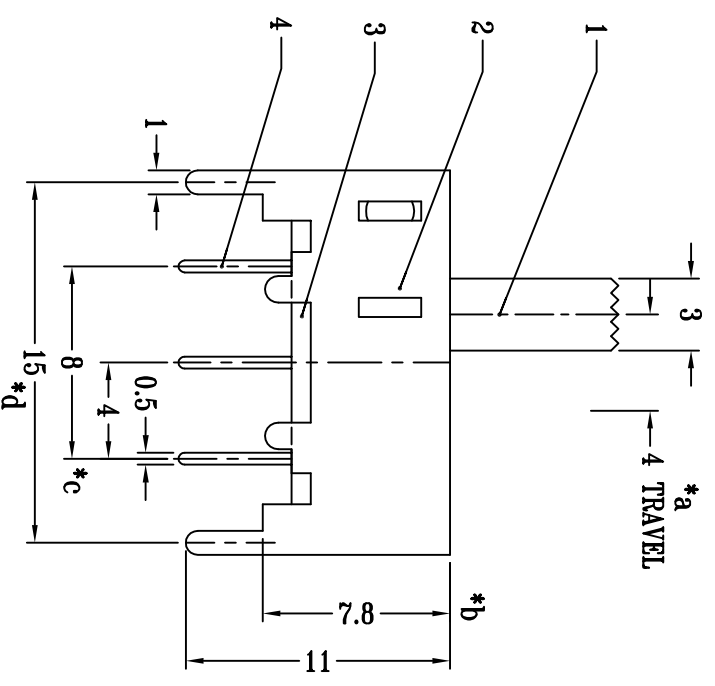
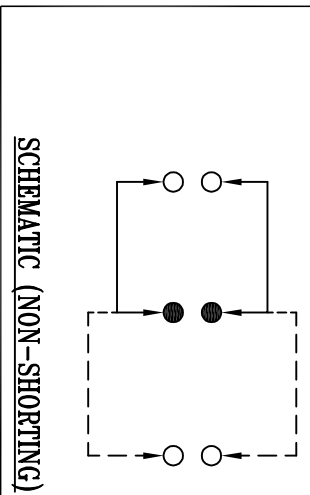
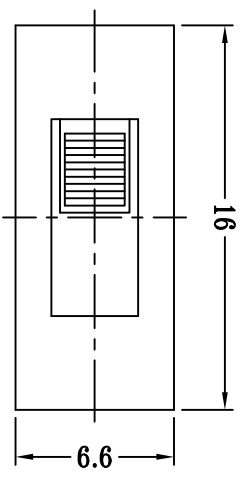


CAD FILE:



P.C.B LAYOUT  
BOTTOM VIEW

注：“\*”表示关键尺寸(6个)

NO.	PARTS	MATERIALS	Q'TY	FINISH	TOLERANCE UNLESS SPECIFIED				初版			
8	STEEL BALL	STEEL	1	NATURAL	WITHIN 1.5mm : ±0.1mm				APPD.			
7	SPRING	STEEL WIRE	1	NATURAL	OVER 1.5mm : ±0.2mm				APPD.			
6	CONTACT CLIP	PBS STRIP	2	Ag CLAD	ISSUE	DATE	DESCRIPTIONS OF REVISION		APPD.			
5	TERMINAL	BRASS STRIP	6	Ag PLATED	TITLE : VERTICAL SLIDE SWITCH				SCALE: 3:1			
4	BASE	PHENOLIC RESIN	1	NATURAL	MODEL: SS22H05G7 高温金码				DRWG NO.: LT-DR-SS22H05G7-00			
3	FRAME	STEEL STRIP	1	Ni PLATED	东莞市德沃电子科技有限公司				DWN. 吴开庆 2012-10-26			
2	KNOB	PAGE	1	BLACK	Dongguan Dewo Electronics Technology Co., Ltd.				CHK'D 曾小伟 2012-10-26			
1									APPD. 曾 鹏 2012-10-26			